

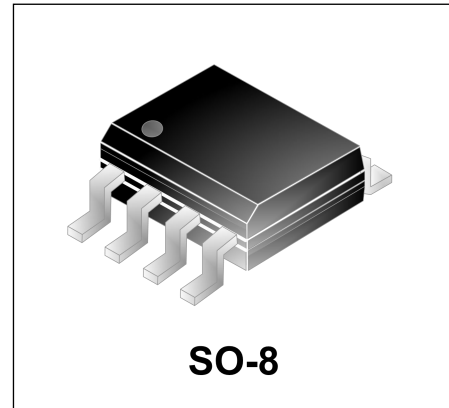


Features

- Array of surge rated diodes with internal TVS diode
- Protects four I/O lines
- Low operating voltage(3.3V)and clamping voltage
- Low capacitance(<15pF) for high-speed interfaces
- Solid-state technology

IEC Compatibility (EN61000-4)

- IEC 61000-4-2 (ESD) $\pm 15\text{kV}$ (air), $\pm 8\text{kV}$ (contact)
- IEC 61000-4-4 (EFT) 40A (5/50ns)
- IEC 61000-4-5 (Lightning) 24A (8/20 μs)



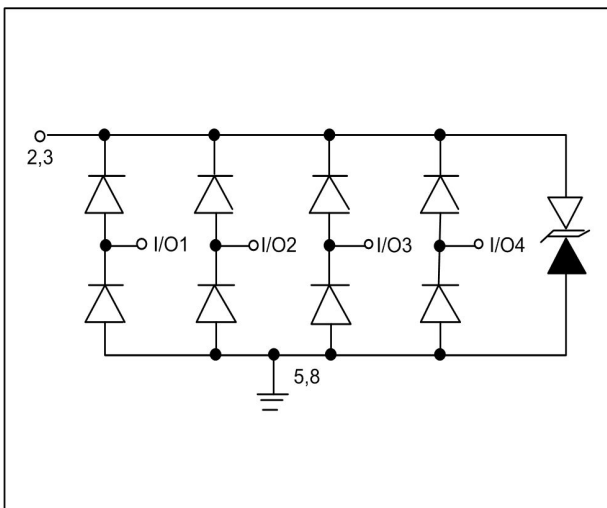
Mechanical Characteristics

- JEDEC SOIC-8 package
- Molding compound flammability rating: UL 94V-0
- Marking : Making Code
- Packaging : Tape and Reel per EIA 481
- Lead Finish: SnPb or Matte Sn

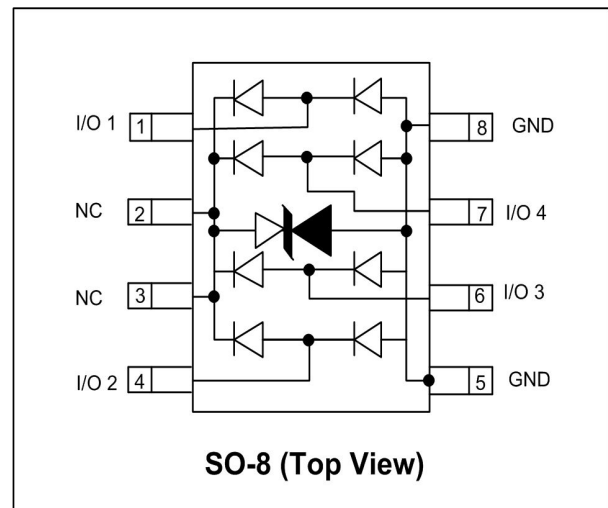
Applications

- T1/E1 secondary IC Side Protection
- T3/E3 secondary IC Side Protection
- Analog Video Protection
- Microcontroller Input Protection
- Base stations
- I²C Bus Protection

Circuit diagram



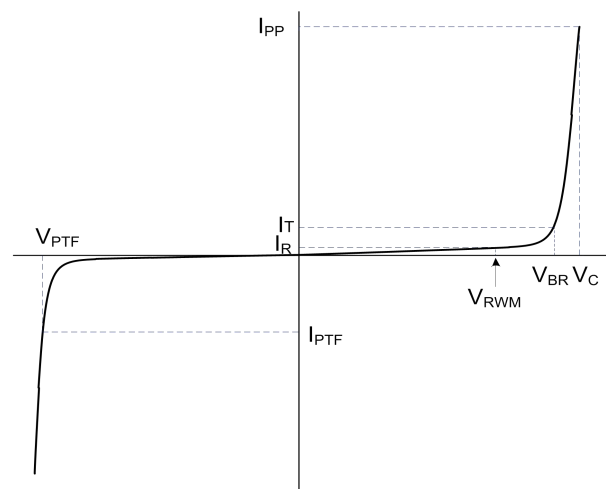
Schematic and PIN Configuration



Absolute Maximum Rating			
Rating	Symbol	Value	Units
Peak Pulse Power ($t_p=8/20\mu s$)	P_{PP}	500	Watts
Peak Forward Current ($t_p=8/20\mu s$)	I_{PP}	25	A
Lead Soldering Temperature	T_L	260(10 sec.)	°C
Operating Temperature	T_J	-40 to + 85	°C
Storage Temperature	T_{STG}	-55 to +150	°C

Electrical Parameters (T=25°C)

Symbol	Parameter
I_{PP}	Maximum Reverse Peak Pulse Current
V_C	Clamping Voltage @ I_{PP}
V_{RWM}	Working Peak Reverse Voltage
I_R	Maximum Reverse Leakage Current @ V_{RWM}
V_{BR}	Breakdown Voltage @ I_T



Electrical Characteristics

DW3.3-4RDA-S						
Parameter	Symbol	Conditions	Minimum	Typical	Maximum	Units
Reverse Stand-Off Voltage	V_{RWM}				3.3	V
Punch-Through Voltage	V_{PT}	$I_{PT}=2\mu A$	3.5			V
Snap-Back Voltage	V_{SB}	$I_{SB}=50mA$	2.8			V
Reverse Leakage Current	I_R	$V_{RWM}=3.3V, T=25^\circ C$			1	μA
Clamping Voltage	V_C	$I_{PP}=1A, t_p=8/20\mu s$			5.3	V
Clamping Voltage	V_C	$I_{PP}=10A, t_p=8/20\mu s$			10	V
Clamping Voltage	V_C	$I_{PP}=25A, t_p=8/20\mu s$			15	V
Junction Capacitance	C_j	Between I/O pins and Ground, $V_R=0V, f=1MHz$		8	15	pF
		Between I/O pins $V_R=0V, f=1MHz$		4		pF



Typical Characteristics

Figure 1: Non-Repetitive Peak Pulse Power vs. Pulse Time

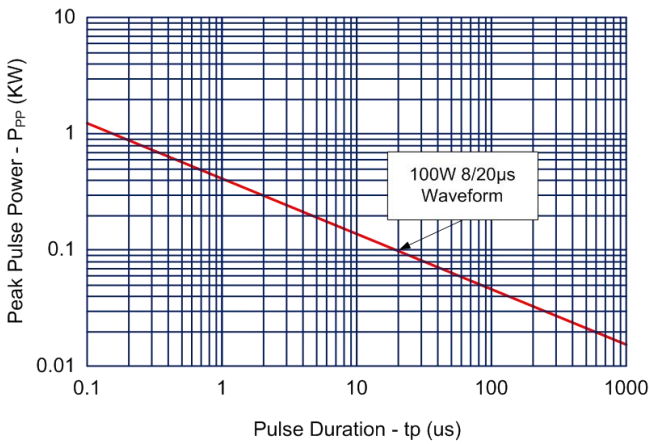


Figure 2: Power Derating Curve

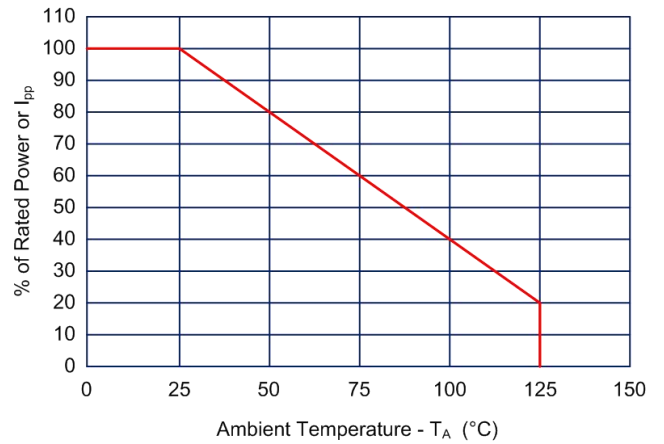


Figure 3: Pulse Waveform

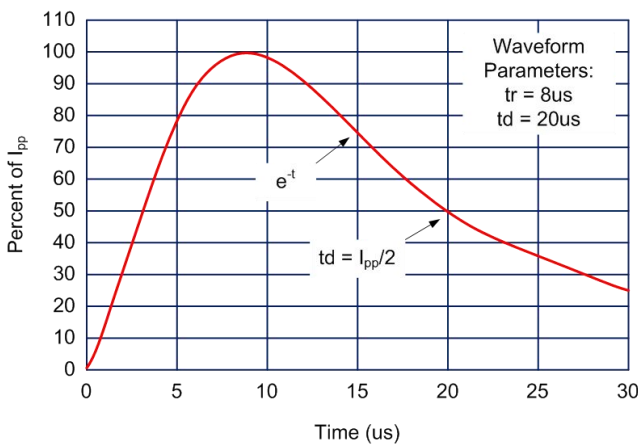


Figure 4: Clamping Voltage vs. Peak Pulse Current

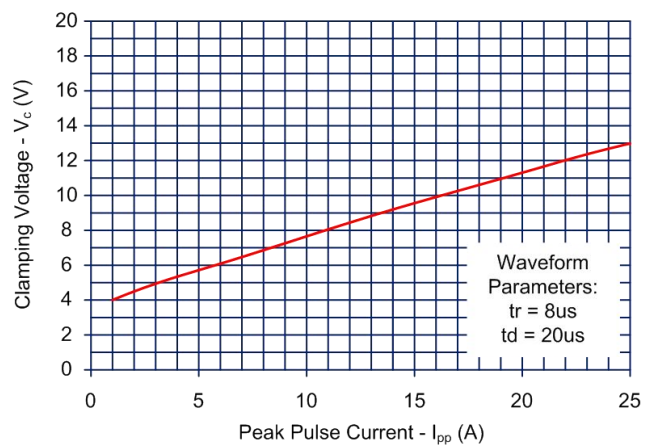
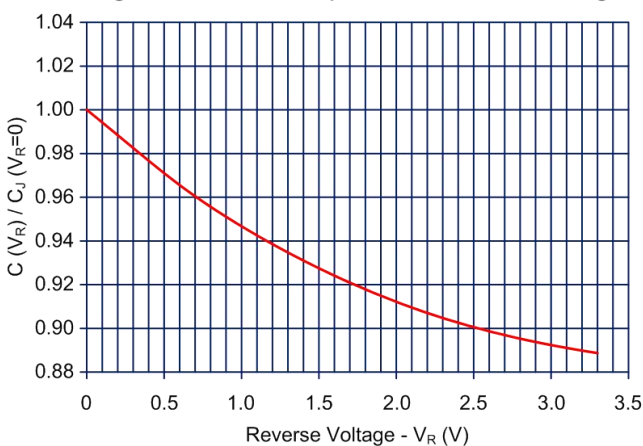


Figure 5: Variation of Capacitance vs. Reverse Voltage



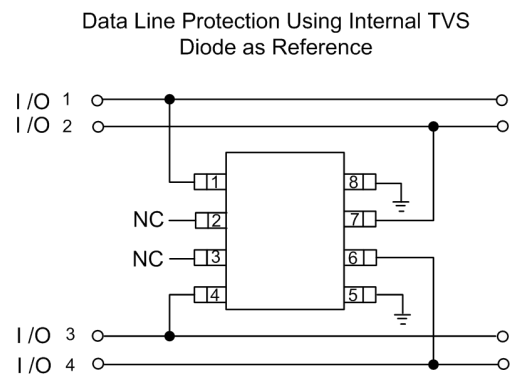
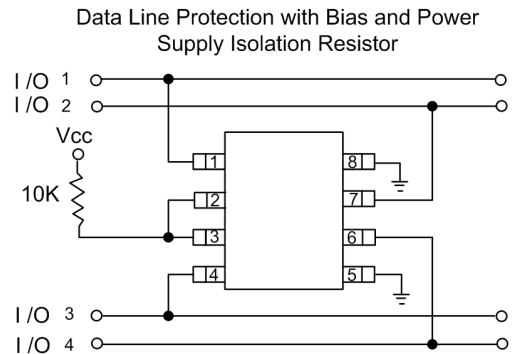
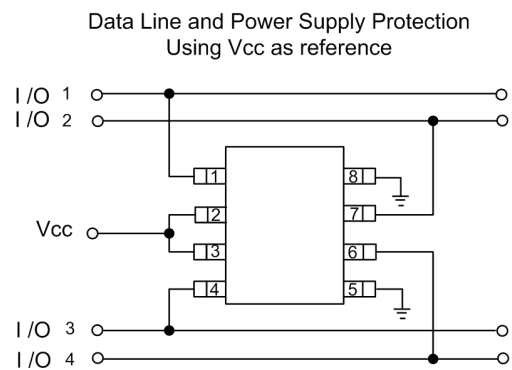
Application Information

Device Connection Options for Protection of four High-Speed Data Lines

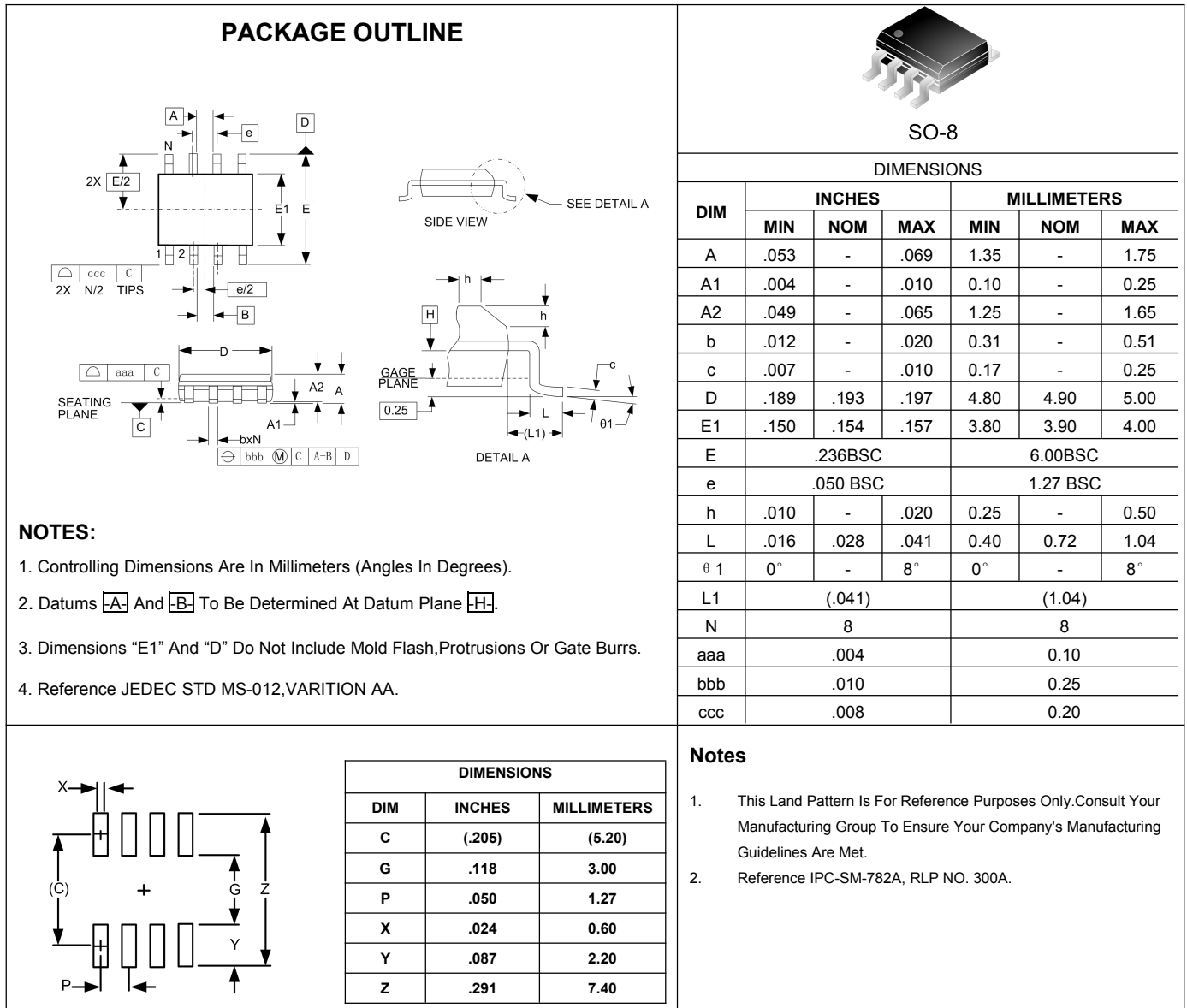
The DW3.3-4RDA-S TVS is designed to protect four data lines from transient over voltages by clamping them to a fixed reference. When the voltage on the protected line exceeds the reference voltage (plus diode V_F) the steering diodes are forward biased, conducting the transient current away from the sensitive circuitry. Data lines are connected at pins 1, 4, 6 and 7. The negative reference is connected at pins 5 and 8. These pins should be connected directly to a ground plane on the board for best results. The path length is kept as short as possible to minimize parasitic inductance.

The positive reference is connected at pins 2 and 3. The options for connecting the positive reference are as follows:

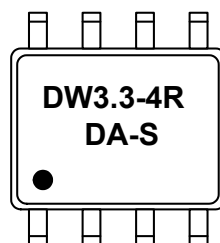
1. To protect data lines and the power line, connect pins 2 & 3 directly to the positive supply rail (V_{CC}). In this configuration the data lines are referenced to the supply voltage. The internal TVS diode prevents over-voltage on the supply rail.
2. The DW3.3-4RDA-S can be isolated from the power supply by adding a series resistor between pins 2 and 3 and V_{CC} . A value of 10k Ω is recommended. The internal TVS and steering diodes remain biased, providing the advantage of lower capacitance.
3. In applications where no positive supply reference is available, or complete supply isolation is desired, the internal TVS may be used as the reference. In this case, pins 2 and 3 are not connected. The steering diodes will begin to conduct when the voltage on the protected line exceeds the working voltage of the TVS (plus one diode drop).



Outline Drawing – SO-8



Marking Codes



XX=Reverse Stand-Off Voltage

Package Information

Qty: 2.5k/Reel